

Vertical Axis Top Discharge Centrifuge *ALFA model*



For the efficient separation of solids and liquids
Fine chemicals – active pharmaceutical ingredients



Fully inspectable
design (ALFA/S-GMP)

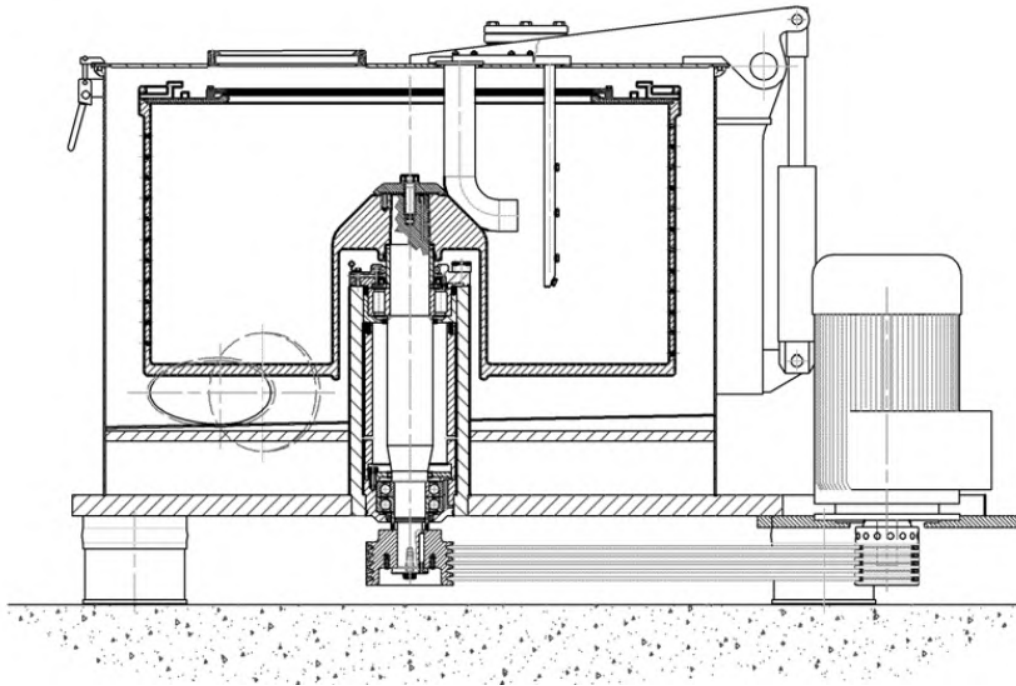
COMI CONDOR S.p.A. -

Centrifuge technology since 1920

I – 20019 SETTIMO MILANESE (MI) - Via A. Volta, 6 - ITALIA – Phone +39 02 3357991 - Fax +39 02 33500439

visit www.comicondor.com or ask comi-comm@comicondor.com for details

Vertical Axis Top Discharge Centrifuge Design & Specifications



OPERATION

- the COMI CONDOR vertical axis basket centrifuge type ALFA is a batch filtering centrifuge with product discharge from the top (different systems are available). The product grain size is between 0.005 mm and some millimetres; solids concentration from 3% to 50%; productions up to 2+3 t/h.
- ALFA/B dig dig out discharge by shovel
- ALFA/SB lifting bag system

CONSTRUCTION MATERIALS

- The available materials of construction are: AISI 316L, AISI 304L, Avesta 254 SMO, Hastelloy, Titanium, Halar coating and others.

CONTROL OPTIONS

- complete PLC controls with touch screen interface
- switch between automatic and manual operation
- variable frequency drive (VFD) speed control
- ATEX electrical enclosures
- optional instrumentation integrated into the control system including oxygen monitoring, temperature, pressure, liquid feed flow, N2 purge flow, effluent particle detection and fluid clarity

OPTIONS

- special lifting bag system for quick removal of filter bag
- C.I.P. system
- glove box operation (high containment)
- GMP version: process area completely inspectable, flat basket bottom (fully openable casing)
- scraping knife with vacuum product discharge
- installation: 3 columns or inertia plate with viscodampers
- cake detector for automatic loading without operator intervention
- metallic sintered screen for microfiltration (down to 2 microns)
- a system for dissolving the cake "in situ" avoiding the classic solids discharge phase is available



AFTER-MARKET SUPPORT

- field service & technical support available 24/7
- mechanical and electrical parts
- process control and maintenance manuals
- certifications and construction documentation
- mechanical and electrical upgrades



Centrifuge Model ALFA	Units	350/250	550/350	630/400	800/400	1000/500	1250/500	1250/630	1250/800	1600/800
Basket diameter	mm	350	550	630	800	1000	1250	1250	1250	1600
Basket length	mm	250	350	400	400	500	500	630	800	800
Filtering surface	m ²	0,27	0,6	0,8	1,00	1,57	1,96	2,47	3,14	4,02
Cake thickness	mm	50	75	95	120	150	187	187	187	200
Cake volume	dm ³	12	40	63	100	200	315	400	500	800
Slurry density	kg/dm ³	1,25	1,25	1,25	1,25	1,25	1,25	1,25	1,25	1,25
Maximum basket load	kg	15	50	80	125	250	400	500	625	1000
Maximum basket speed	RPM	3200	2550	1900	1500	1200	1000	1000	1000	850
G-factor x g	G	2000	2000	1250	1000	800	700	700	700	646
Centrifuge weight	kg	900	1200	1500	2900	4000	5300	6000	6500	8000