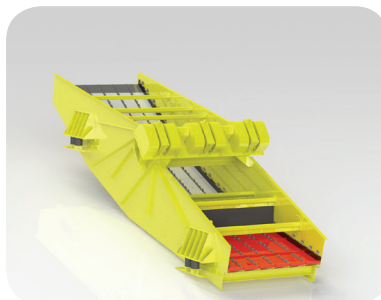


MULTI-ANGLE 'BANANA' SCREENS

COAL - AGGREGATES - POTASH
ORES - RECYCLING

- ▶ Bespoke design to suit customer requirements
- ▶ Single Deck
- ▶ Twin Deck
- ▶ Huck bolt construction
- ▶ Exciter unit linear motion
- ▶ High grade boiler steel side plates
- ▶ Over 20 years operational life expectancy
- ▶ A 'best value' investment



From 3D
modelling to
manufacture

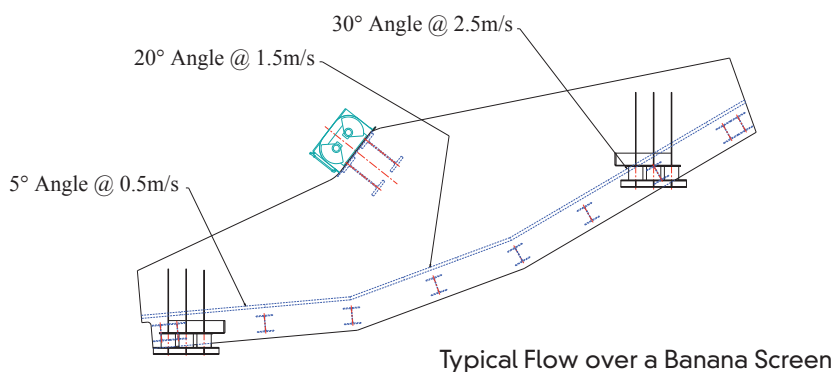
OPTIMAL
PERFORMANCE
▶ TOTAL RELIABILITY



All of our machines are
fully assembled and tested
prior to shipping

MULTI-ANGLE BANANA VIBRATING SCREENS

Don Valley Engineering Linear Motion Vibrating Screens, are used around the world in many of the most demanding operations. More than 40 years of experience in vibrating screen design and development has resulted in a standard of screen which is amongst the most robust, reliable and efficient available. Many of our screens have been operational for more than 20 years, and as a result they represent truly exceptional value for investment. We only build machines which last.



The Benefits of Multi-angle Screening are:-

- ▶ Improved efficiency in sizing material due to formation of a thin bed depth
- ▶ Smaller footprint
- ▶ Lower water consumption with wet screening
- ▶ Lower energy requirement, for an equivalent throughput on a conventional flat deck screen
- ▶ Higher feed rates for an equivalent deck area

SCREEN DATA

- ▶ Effective Width: Up to 5000mm
- ▶ Effective Length: Up to 12000mm
- ▶ Mass: Up to 30T
- ▶ Deck Area: Up to 44 M²
- ▶ Vibratory Motion: Linear
- ▶ Amplitude: Up to 15mm
- ▶ Frequency / Speed: 850 to 950 cycles/min
- ▶ Angle of Throw: To suit application
- ▶ Inclination: Variable, multi-angle
- ▶ Flow Speed: Variable
- ▶ Capacity: > 3000 TPH subject to material
- ▶ Deck Configurations: Single / Twin Deck
- ▶ Deck Types: Compatible with most deck media

GET YOUR BANANA DECK SCREEN SPECIFIED BY THE EXPERTS

Our application engineers will be pleased to provide you with a specification for the best screen to meet your requirements. Simply provide us with the following basic information:-

- ▶ Type of material
- ▶ Size analysis of feed material
- ▶ Bulk density
- ▶ Feed rate (TPH)
- ▶ Separation sizes required
- ▶ Moisture content



Don Valley Engineering Co. Ltd.
Sandall Stones Road,
Doncaster, DN3 1QR
United Kingdom

WORLD CLASS PROCESS MACHINERY

Tel: +44 (0) 1302 881188
Fax: +44 (0) 1302 881000
Email: info@donvalleyeng.com
Web: www.donvalleyeng.com

