



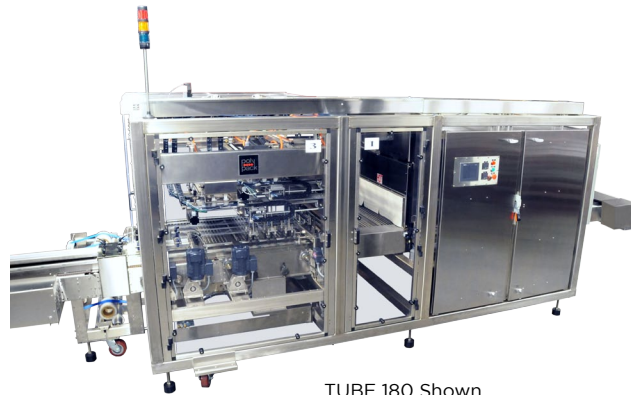
# TUBE SERIES



**TUBE SHRINK BUNDLING SYSTEM.** Polypack's TUBE series shrink wrap machines save money by eliminating inner chipboard cartons and dividers in a master case. These machines utilize our patented pick and place technology to pick up tubes and place them directly onto the film for shrink wrapping. This system eliminates any additional transfers, making it the ideal solution for these hard-to-handle containers. These machines are available at speeds up to 180 tubes/minute and they are also available with an optional integrated case packer.



**TUBES** can be shrink wrapped in 3-packs, with or without inversion. They can also be wrapped in 4-packs and 6-packs for distribution purposes. Polypack's pick & place system can also be used to shrink wrap pouches and small, lightweight bags.



TUBE 180 Shown

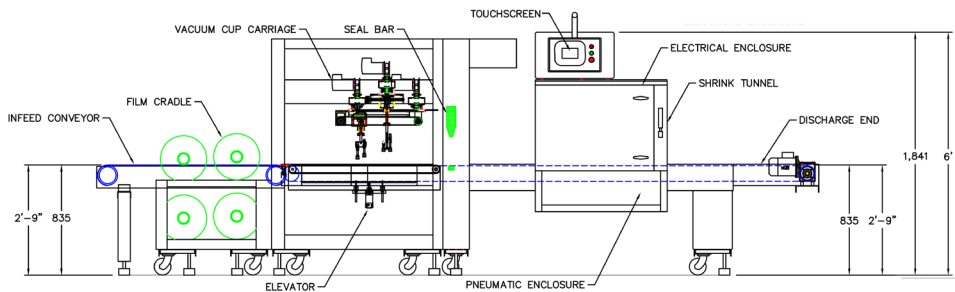
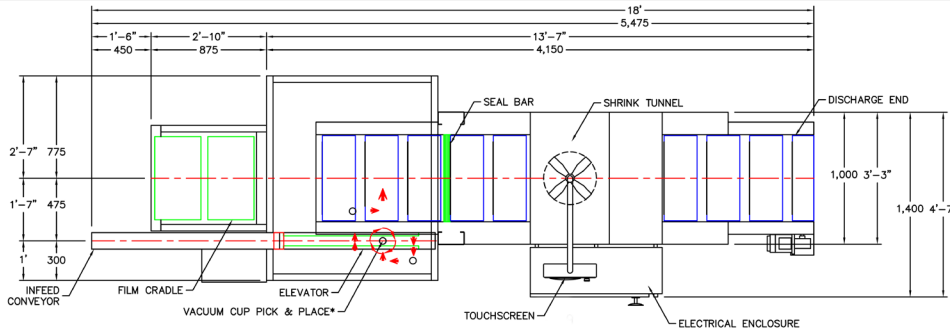
# WE GOT IT COVERED



DESIGNED TO ADAPT.  
BUILT TO ENDURE.  
POLYPACK.COM  
727.578.5000



# TUBE SERIES



\*ROKH IS THE NAME OF POLYPACKS PATENTED, ROBOTIC PICK AND PLACE UNIT. U.S. PATENT NO. 5934049.

## TUBE SERIES MACHINE FEATURES

- \*Package Tubes in Straight or Inverted Configurations
- \*Available in Single Lane or Dual Lane at Speeds Up To 180/minute
- \*Heavy, 11 Gauge Stainless Steel Construction
- \*Nema 12 Control Panel
- \*Stainless Steel Bucket Conveyor (No Belts or Coatings)
- \*Engineered as a Single Unit with Integrated Double Insulated Tunnel to Reduce Energy Consumption
- \*PLC Touchscreen Interface

# WE GOT IT COVERED



CORPORATE HEADQUARTERS  
3301 GATEWAY CENTRE BLVD.  
PINELLAS PARK, FL 33782 USA

POLYPACK.COM  
INFO@POLYPACK.COM  
727.578.5000

